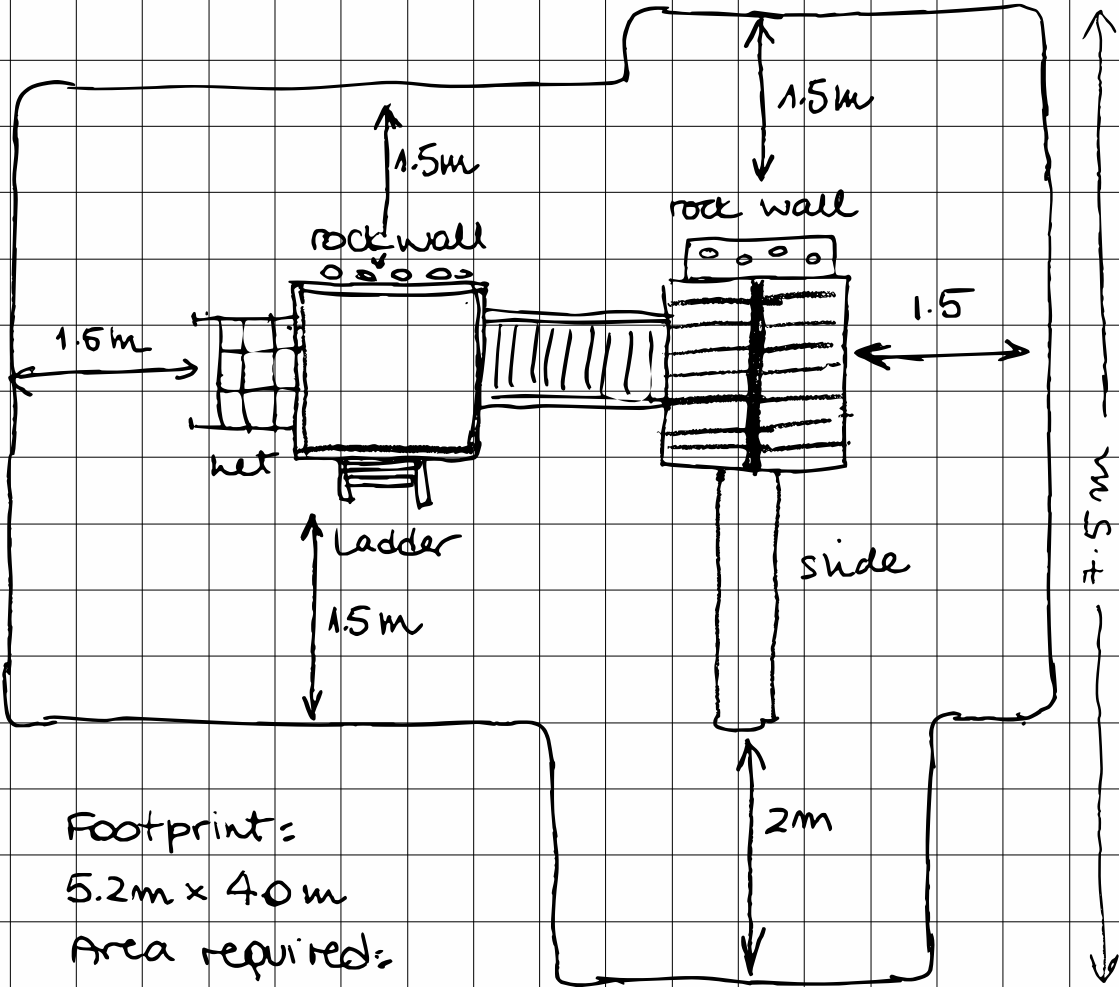


DOWNTON TOWERS

7.2m



Footprint =

5.2m x 4.0m

Area required =

8.2m x 7.5m.